

142-856H190 GT-180 (1992)
46" Mower Deck

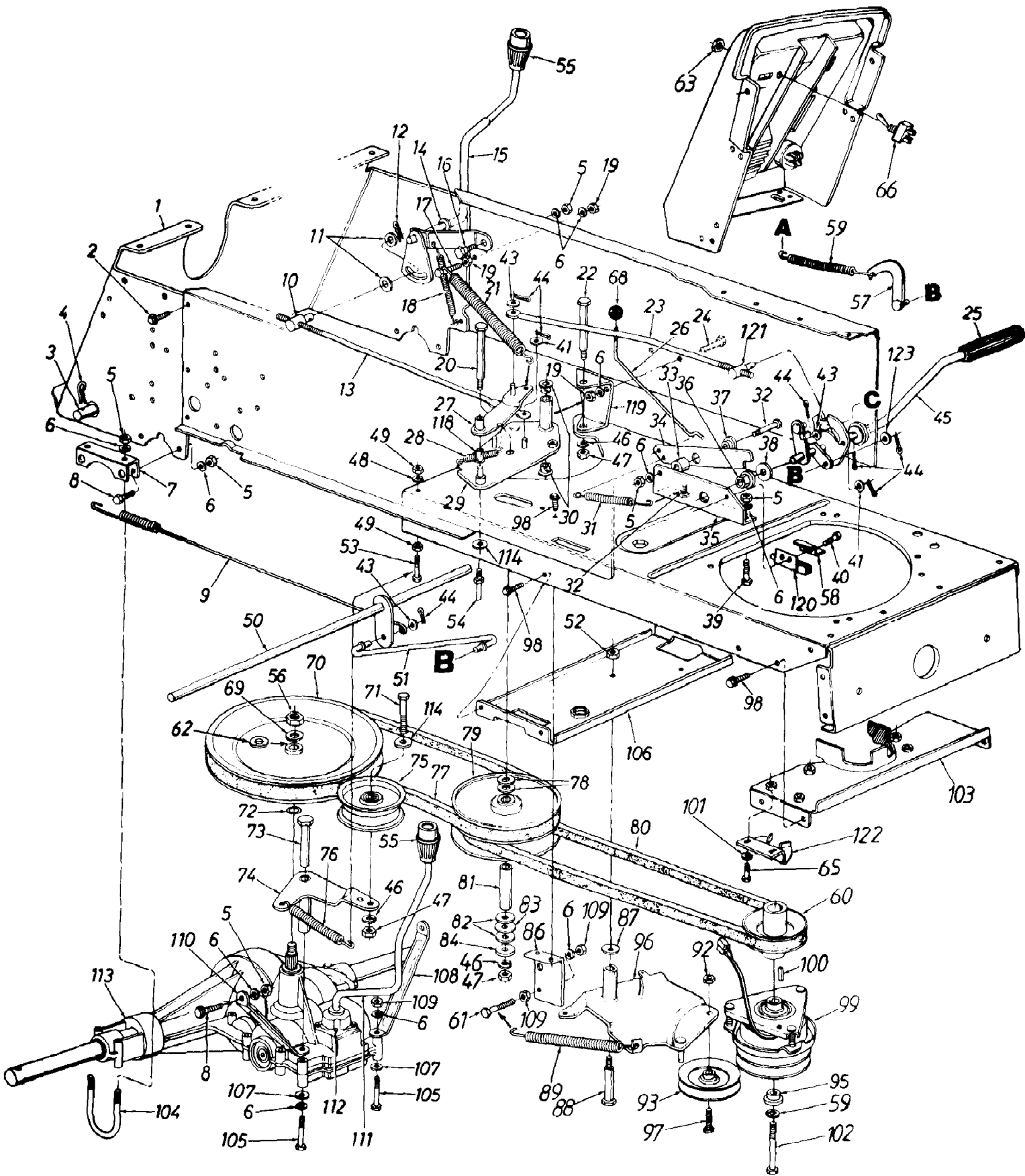
Page 2 of 22

Ref #	Part Number	Qty	S/P/F	Description
1	17347	1	S	Deck Stabilizer
2	17264	1	S	Diagonal Brace
6	17218D	1	S	46" Deck Ass'y.
	17455	1		46" Deck Ass'y. Comp.
7	710-0258	1	S	Hex Bolt 1/4-20 x .62" Lg.
8	711-0792	1	S	Hinge Pin
9	712-0298	1	S	Hex Jam Nut 1/4-20 Thd.
10		1		UNKNOWN
12	736-0270	1	/P	Bell-Wash. 1/4" I.D.
13	738-0392	1		Deck Connecting Rod
15	710-0604	1	S	Hex TT-Tap Scr. 5/16-18 x .62"
16	17261	1		Idler Mtg. Brkt.
17	710-0888	1	/P	Hex Bolt 5/16-24 x 1" Lg. (Spec.)
18	710-0157	1	/P	Hex Bolt 5/16-24 x .75" Lg.
19	712-0123	1	/P	Hex Nut 5/16-24 Thd.
20	736-0119	1	S/F	L-Wash. 5/16" I.D.
21	736-0242	1	/P	Bell-Wash. 5/16" I.D.
22	717-0912	1	S	Spindle Ass'y. (R.H. & Center)
23	717-0913	1	S	Spindle Ass'y. (L.H.)
26	710-0888	1	/P	Hex Bolt 5/16-24 x 1.0" Lg. (Spec.)
27	710-0877	1	S	Hex Cl-Bolt 3/8-24 x .88" Lg.
28	712-0123	1	/P	Hex Nut 5/16-24 Thd.
29	736-0119	1	S/F	L-Wash. 5/16" I.D.
30	736-0217	1	S	L-Wash. 3/8" I.D. - H.D.
31	742-0486	1	S	High Lift Blade 14.88" Lg.
32	742-0487	2 Req'd.		High Lift Blade 16.28" Lg.
33	748-0300	1		Blade Adapter
35	17116	1	S/F	Deck Brake Brkt. Ass'y.
36	17213	1	S	Idler Bracket
37	17258	1	S	Belt Cover Brkt. - R.H.
38	17260	1	S	Belt Keeper Bracket
39	710-0152	1	S	Hex Bolt 3/8-24 x 1.0" Lg.
40	710-0459	1	S	Hex Bolt 3/8-24 x 1.5" Lg.
41	710-0559	1	F	Hex Bolt 1/4-28 x 1.75" Lg.
42	710-0599	1	/P	Hex Wash. Hd. Tap-Scr. 1/4-20 x .5" Lg.
43	710-0624	1	/P/F	Hex Bolt 5/16-24 x 1.5" Lg. (Grade 5)
44	710-0698	1	/P	Hex Bolt 1/4-28 x 1.5" Lg.
46	711-0747	1	S	Belt Guard Pin 1/4" Dia.
47	712-0117	1	S/F	Hex Cent. L-Nut 1/4-28 Thd.
48	712-0123	1	/P/F	Hex Nut 5/16-24 Thd.
49	712-0138	1	S/F	Hex Nut 1/4-28 Thd.
50	712-0241	1	/P	Hex Nut 3/8-24 Thd.
51	712-0287	1	S/F	Hex Nut 1/4-20 Thd.
52	712-0318	1	/P	Hex Jam Nut 5/8-18 Thd.
53	727-0426	1	F	Brake Cable Ass'y.
	727-0445	1	S/F	Brake Cable Ass'y. (Style 9)
54	732-0594A	1	S	Extension Spring 6.17" Lg.
55	732-0429A	1	S/F	Extension Spring 3.97" Lg.
56	736-0105	1	/P	Bell-Wash. .38" I.D. x .88" O.D.
57	736-0331	1	/P	Bell-Wash. .39" I.D. x 1.13" O.D.
60	736-0158	1	S	L-Wash. 5/8" I.D.
61	736-0329	1	S/F	L-Wash. 1/4" I.D.
62	736-0416			L-Wash. 1/4" I.D. x 3" O.D.

142-856H190 GT-180 (1992)
46" Mower Deck

Page 3 of 22

Ref #	Part Number	Qty	S/P/F	Description
63	738-0347	1	S	Shld. Spacer .625" I.D.
64	748-0234	1	/P/F	Shld. Spacer
65	750-0214	1	F	Spacer .34" I.D.
66	750-0470	1	F	Spacer .326" I.D.
67	754-0349	1	S	V-Belt
68	754-0350	1	S	V-Belt
69	756-0365	1	S	FI-Idler w/Flanges 3.5" O.D.
70	756-0519	1	/P	Pulley 5.0" Dia.
71	756-0520	1		Pulley 5.0" Dia.
72	711-0701	1	S/F	Clevis Pin 1/4" Dia. x .53" Lg.
73	712-0798	1	/P	Hex Nut 3/8-16 Thd.
74	714-0104	1	S/F	Intern. Cotter Pin 5/16" Dia.
75	714-0145	1	S	Intern. Cotter Pin 3/8 Dia.
76	734-0973	1	/P	Deck Wheel 5" Dia.
77	734-3058B	1	S	Deck Wheel w/Insert 5" Dia.
78	736-0169	1	S/F	L-Wash. 3/8" I.D."
79	736-0192	1	S	FI-Wash. .531" I.D.
80	738-0533	1	S	Shoulder Bolt .498" Dia. x 1.64" Lg.
81	738-3056	1	S	Shoulder Bolt
82	710-0653	1	/P	Hex Wash. Hd. Tap-Scr. 1/4-20 x .38" Lg.
83	732-0602	1	S	Torsion Spring
84	703-1693	1	S	Hinge Mtg. Brkt.
85	726-0106	1	S	Push Nut
86	731-1032	1	S	Chute Ass'y. Comp. (Incl. Ref. 8, 83, 84, 85, 86)
87	750-0757	1	S	Spacer 5/8" I.D. x 7/8" O.D.



142-856H190 GT-180 (1992)
Drive System

Page 5 of 22

Ref #	Part Number	Qty	S/P/F	Description
1	17343	1		Hitch Plate
2	710-0726	1	/P	Hex AB-Tap Scr. 5/16" x .75"
3	738-0482	1		Hitch Rod
4	714-0147	1		Hitch Pin Clip
5	712-0267	1	S/F	Hex Nut 5/16-18 Thd.
6	736-0119	1	S/F	L-Wash. 5/16" I.D.
7	17340	1		Transaxle Bracket
8	710-3008	1	/P	Hex Bolt 5/16-18 x .75" Lg. (Gr. 5)
9	732-0601	1		Brake Extension Spring
10	711-0723A	1	S	Adjustment Ferrule 3/8-24 Thd.
11	736-0267	1	S	FI-Wash. .385" I.D. x .87"
12		1		UNKNOWN
13	747-0729	1		Speed Control Link (Rear)
14	736-0192	1	S	FI-Wash. .531" I.D. x .94"
15	16906	1	S	Speed Selector Lever Ass'y.
16	738-0155	1	S	Shld. Bolt .437" Dia. x .162"
17	710-0672	1	/P	Hex Bolt 5/16-24 x 1.25" Lg.
18	732-0429A	1	S	Extension Spring 3.9" Lg.
19	712-3057	1	S	Hex Nut 5/16-24 Thd. (Gr. 5)
20	710-0620	1	/P	Hex Bolt 3/8-24 x 4.5" Lg.
21	732-0603	1		Extension Spring 11" Lg.
22	738-0779	1	S	Shld. Bolt .625" Dia. x 3.5" Lg.
23	747-0726	1	S	Speed Control Link (Front)
24	710-0157	1	/P	Hex Bolt 5/16-24 x .75" Lg.
25	735-0196	1	S	Foot Pad
26	747-0722	1		Parking Brake Link
27	17914	1	S	Var. Speed Torque Brkt. Ass'y.
28	732-0568	1	S	Extension Spring 2.59" Lg.
29	17908	1		Pulley Plate Ass'y.
30	741-0591	1	S	Flanged Brg. .63" I.D.
31	732-0395	1	S	Extension Spring 2.51" Lg.
32	710-0528	1	/P/F	Hex Bolt 5/16-18 x 1.25" Lg.
33	750-0214	1		Spacer .34" I.D. x .88"
34	16980	1		Brake Lockout Bracket
35	16924A	1	/P	Clutch Ass'y. Mtg. Bracket
36	741-0225	1	S	Hex Flange Brg. .634" I.D.
37	748-0234	1	/P	Shld. Spacer .5" Dia.
38	736-0187	1	/P	FI-Wash. .64" I.D. x 1.24"
39	710-0118	1	S/F	Hex Bolt 5/16-18 x .75" Lg.
40	710-0436	1	S	Hex B-Tap Scr. #10 x 5/8" Lg.
41	736-0185	1	S	FI-Wash. .406" I.D. x .75" O.D.
?42	714-0115	1	S	Cotter Pin 1/8" Dia.
43	736-0275	1	S	FI-Wash. .34" I.D. x .68" O.D.
44	714-0111	1	S	Cotter Pin 3/32" Dia.
45	17910	1		Foot Pedal Ass'y.
46	736-0169	1	S/F	L-Wash. 3/8" I.D.
47	712-0241	1	/P	Hex Nut 3/8-24 Thd.
48	736-0329	1	S/F	L-Wash. 1/4" I.D.
49	712-0287	1	S/F	Hex Nut 1/4-20 Thd.
50	17349	1		Brake Link Bracket
51	747-0724	1	S	Front Brake Rod Link
52	712-0375	1	/P	Hex Cent. L-Nut 3/8-16 Thd.
53	710-0501	1		Hex Bolt 5/16-24 x 2.0" Lg.

142-856H190 GT-180 (1992)
Drive System

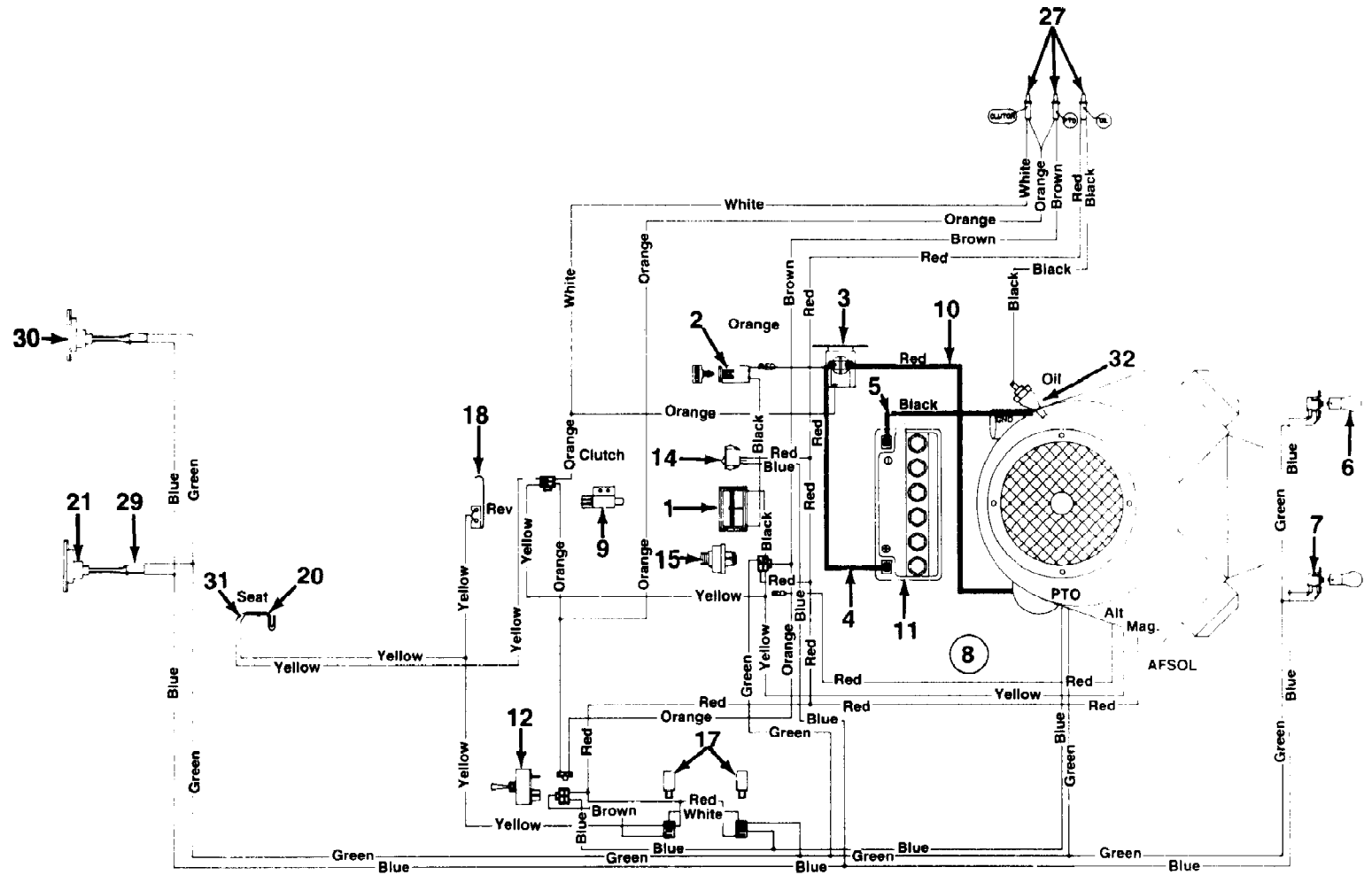
Page 6 of 22

Ref #	Part Number	Qty	S/P/F	Description
54	711-0828	1		Belt Guard Pin
55	720-0218	1	/P	Shift Knob
56	712-3035	1	/P	Hex Jam Nut 9/16-18 Thd.
57	17912	1		Foot Pedal Brkt. Ass'y.
58	17962	1		Switch Plate
59	732-0698	1		Ext. Spring 5.2" Lg.
	736-0171	1	S	L-Wash. 7/16" I.D.
60	756-0546A	1	/P	Engine Pulley
61	710-0409	1	/P	Hex Bolt 5/16-24 x 1.75" Lg.
62	736-0156	1	/P	FI-Wash. .635" I.D. x 1.12" O.D.
63	712-3014	1		Hex Nut 1/2-27 Thd.
65	710-3008	1	/P	Hex Bolt 5/16-18 x .75" Lg. (Gr. 5)
66	725-0893	1	S	Toggle Switch
68	720-0166	1	/P	Ball Knob Brake
69	736-0427	1	S	Bell-Wash. 9/16" I.D. x 1.25"
70	756-0534	1		V-Pulley 9 1/4" O.D.
71	710-0539	1	/P	Hex Bolt 3/8-24 x 1.75" Lg.
72	732-0614	1		Wire Ring
73	738-0769	1		Shld. Bolt 5/16-24 Thd.
74	16904	1	S	Idler Brkt. Ass'y.
75	756-0542	1		Flat Idler 3.5" O.D.
76	732-0384	1	S	Extension Spring 6.12" Lg.
77	754-0362	1	S	V-Belt
78	736-0414	1	S	Teflon Washer 1.20" O.D.
79	717-0945	1	S	Variable Speed Pulley 6" Dia.
80	754-0358	1	S	V-Belt
81	738-0778	1		Pivot Bushing
82	736-0355	1	/P	FI-Wash. .56" I.D. x 1.0" O.D.
83	741-0405	1	S	Thrust Brg. .56" I.D. x 1.25"
84	17485	1		Retainer Cup
86	13833	1	S	Parking Brake Mtg. Brkt.
87	736-0105	1	/P	Bell-Wash. .38" I.D. x .88" O.D.
88	738-0129	1		Shld. Bolt .498" Dia. x 2.05"
89	732-0180	1	S	Extension Spring 4.0" Lg.
92	712-0214	1	S	Hex Cent. L-Nut 3/8-24 Thd.
93	756-0293A	1	S	V-Belt Idler
95	738-0785	1	S	Shoulder Spacer
96	14076A	1	S	Idler Brkt. Deck Ass'y.
97	710-0459	1	S	Hex Bolt 3/8-24 x 1.5" Lg.
98	710-0599	1	/P	Hex TT-Tap Scr. 1/4-20 x .5"
99	717-0949	1	S	Electric Clutch
100	714-0118	1	/P	Sq. Key 1/4 x 1.5" Lg.
101	736-0242	1	/P	Bell-Wash. .345" I.D. x .88"
102	710-1049	1	/P	Hex Bolt 7/16-20 x 3.75" Lg.
103	17357	1	S	Belt Keeper Brkt. Ass'y.
104	711-0829	1		U-Bolt
105	710-0593	1		Hex Bolt 5/16-24 x 2.25" Lg.
106	16888	1	S	Deck Idler Support Brkt.
107	736-0264	1	S	FI-Wash. .344" I.D. x .62" O.D.
108	16979	1		Front Trans. Support Brkt. - L.H.
109	712-0123	1	/P/F	Hex Nut 5/16-24 Thd.
110	16978	1		Front Trans. Support Brkt. - R.H.
111	717-0985			Front Trans. Support Brkt. Ass'y. Complete

142-856H190 GT-180 (1992)
Drive System

Page 7 of 22

Ref #	Part Number	Qty	S/P/F	Description
112	710-1048	1		Socket Hd. Cap Scr. #10 x 24
113	618-0009	1	S	2-Speed Transmission Comp. Code: N notates a new part (not previously existing).
114	736-0258	1	/P	FI-Wash. 3/8" I.D. x 1.0" O.D.
118	741-0419	1		Nyliner Flanged Brg.
119	17180	1		Variable Speed Support Brkt.
120	725-3169A	1	S	Safety Switch (Clutch)
121	711-0832	1	S	Adjustment Ferrule 3/8-24 Thd.
122	17418	1	S	Torque Bracket
123	736-0204	1	/P	FI-Wash. .344" I.D. x .62" O.D.

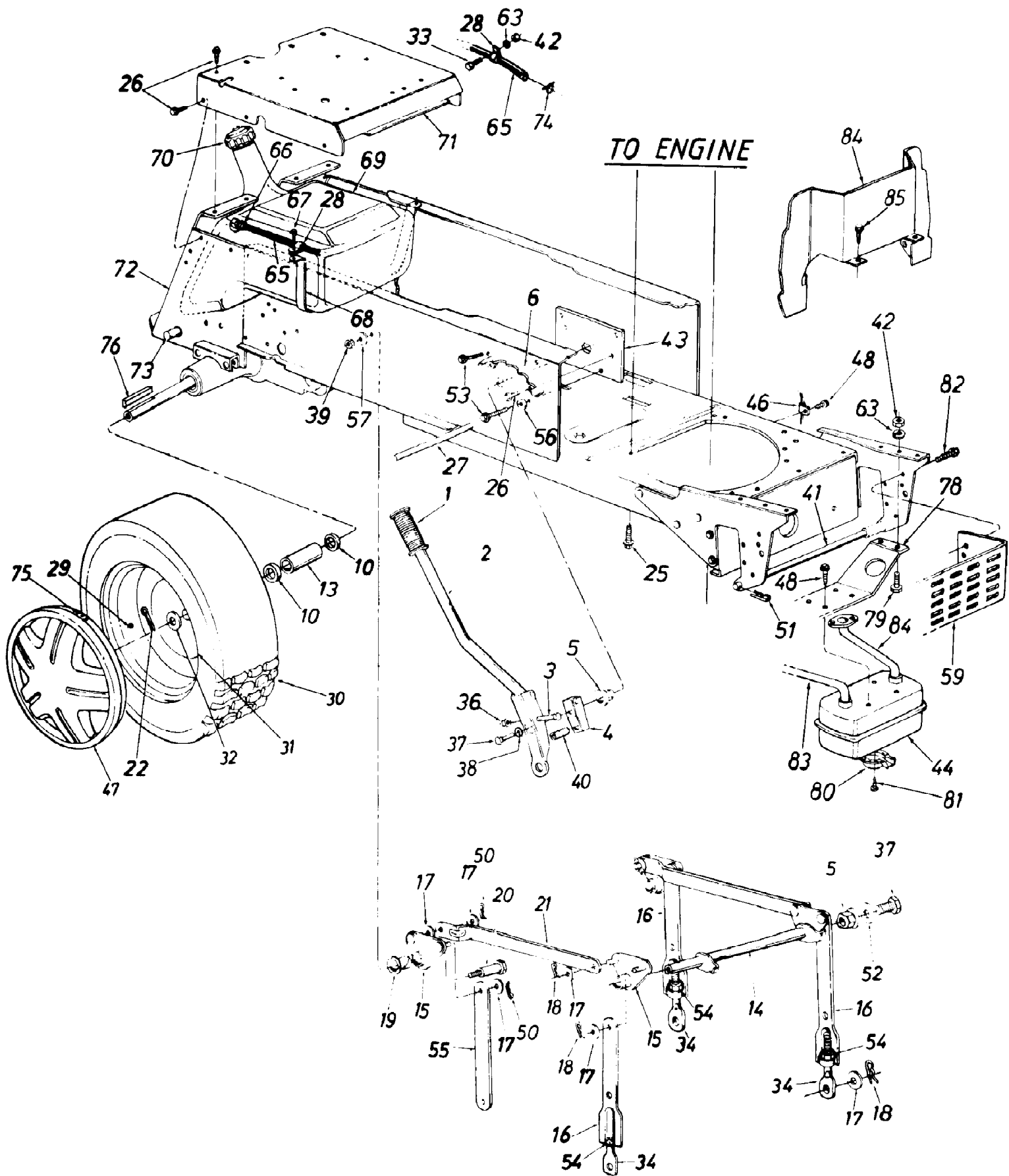


142-856H190 GT-180 (1992)
Electrical System

Page 9 of 22

Ref #	Part Number	Qty	S/P/F	Description
1	725-0925	1	S	Ammeter
2	725-1381	1	S	Fuse 20 Amps
3	725-1426	1	S	Solenoid
4	725-0561	1	S	Wire
5	725-0981	1		8 Ga. Black Wire 12" Lg.
6	725-0963	1	S	Bulb
7	725-1650	1	S	Socket Code: N notates a new part (not previously existing).
8	629-0065	1		Wire Harness Code: N notates a new part (not previously existing).
9	725-3169A	1	S	Safety Switch (Clutch)
10	725-1085	1	S	6 Ga. Red Wire 20" Lg.
11	725-1635	1	S	Battery (275 Cold Crank Amps)
12	725-0893	1	S	Switch (PTO)
14	725-0634	1	S	Light Switch
15	725-1396	1	S	Ignition Switch
17	725-1648	1	S	Relay Code: N notates a new part (not previously existing).
18	725-1643	1		Spring Lever (Reverse) Code: N notates a new part (not previously existing).
20	725-1303	1	S	Safety Switch (Seat)
21	725-3018	1		Taillight
27	725-1365	1	S	Bulb
29	725-1380	1		Taillight Harness
30	725-3020	1	S	Bulb
31	725-1439	1		Safety Switch (Seat)
32	751-0537	1		Oil Pressure Switch

Mower Deck Lift Mechanism, Muffler And Gas Tank



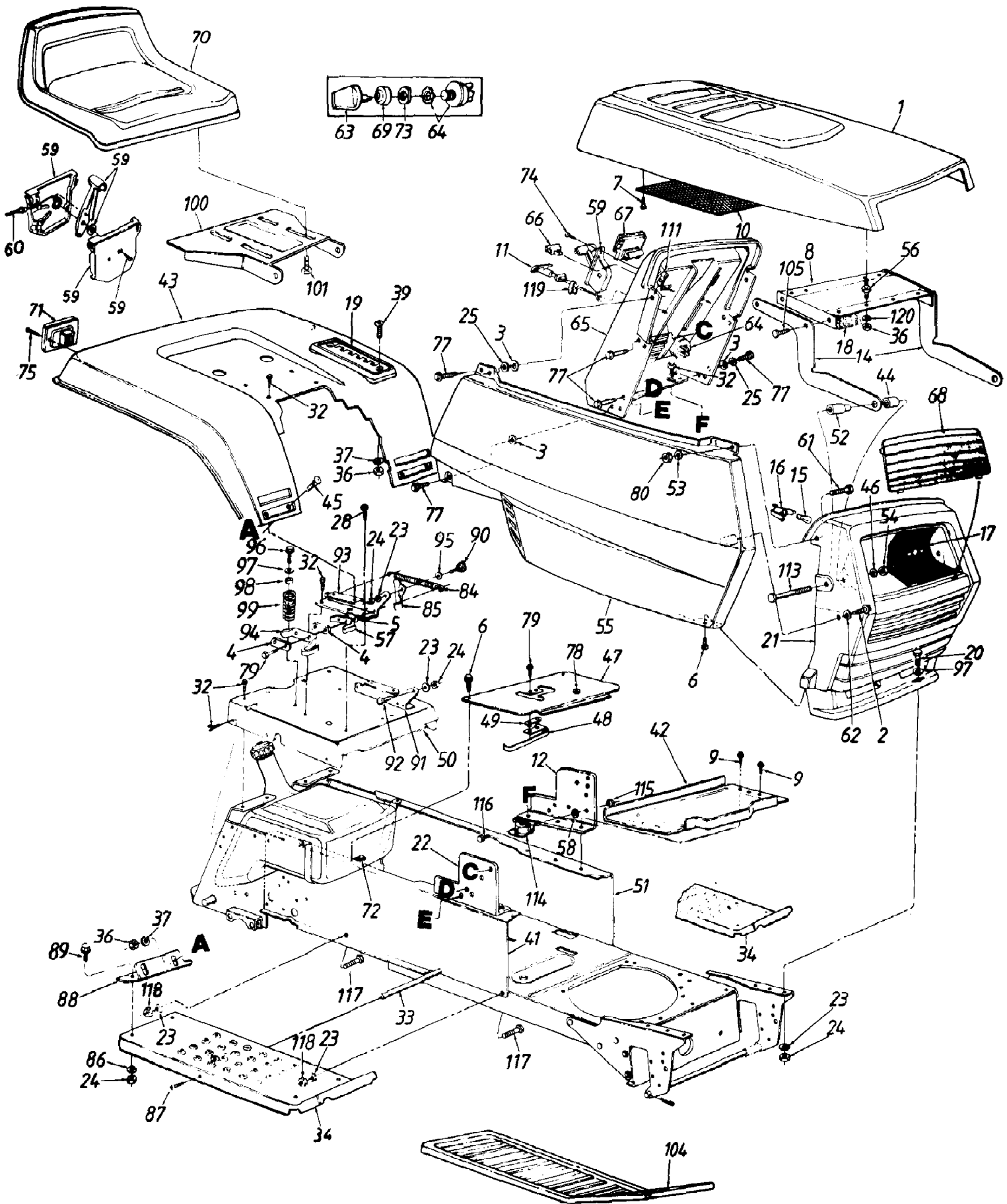
Mower Deck Lift Mechanism, Muffler And Gas Tank

Ref #	Part Number	Qty	S/P/F	Description
1	720-0233	1	S	Grip
2	17282	1	S	Lift Handle Ass'y.
3	710-0442	1	S/F	Hex Bolt 5/16-18 x 1.5" Lg.
4	748-0274A	1	/P	Lift Shaft Drive
5	741-0225	1	S	Plastic Hex Brg. 5/8" I.D.
6	14231	1	S	Index Brkt. Deck Lift
?7	737-0286	1		Oil Drain Pipe (Not shown). Code: N notates a new part (not previously existing).
?8	751-3001	1		Oil Drain Plug (Not shown). Code: N notates a new part (not previously existing).
10	736-0163	1	S	FI-Wash. 1.03" I.D. x 1.62" O.D.
13	750-0762	1		Spacer 1.0" I.D. x 1.25" O.D.
14	13889	1		Lift Shaft Ass'y.
15	13895	1		Lift Pivot Brkt. Ass'y.
16	17303	1	S	Adj. Deck Lift Link
17	736-0192	1	S	FI-Wash. 1/2" I.D. x 1.00" O.D. x .090"
18	714-0101	1	S	Hairpin Cotter
19	741-0295	1	S	Nyliner 5/8" I.D. x .88" Lg.
20	738-0445	1	S	Shld. Bolt 5/8" Dia. x .96" Lg. 3/8-16
21	13790	1	S	Connecting Link
22	714-0142	1	/P	Cotter Pin 3/16" Dia. x 1.5" Lg.
25	710-0502A	1	/P	Hex Wash. Hd. Scr. 3/8-16 x 1.25" Lg.
26	710-0726	1	/P	Hex Thd. Rolling Scr. 5/16-18 x .75" Lg.
27	738-0435	1		Running Board Rod
28	726-0272	1	/P	Clamp
29	734-0255	1	S	Air Valve
30	734-1005A	1		Rear Wheel Ass'y. Comp.
	734-0322	1		Tire Only
31	734-1015	1		Rear Wheel Rim Only
32	736-0345	1	S	Flat Washer
33	710-0258	1	S	Hex Bolt 1/4-20 x .62" Lg.
34	711-0817	1	S	Eye Bolt Adj. Link 1/2-13 Thd.
36	712-0158	1	S	Hex Cent. L-Nut 5/16-18 Thd.
37	710-0237	1	/P/F	Hex Scr. 5/16-24 x .62" Lg.
38		1		UNKNOWN
39	712-0181	1	S	Hex Top L-Nut 3/8-16 Thd.
40	732-0369	1	S	Compression Spring
41	738-0777	1	S	Deck Connecting Rod
42	712-0287	1	S/F	Hex Nut 1/4-20 Thd.
43	14170	1	S	Index Brkt. Reinforcement Plate
44	751-0557	1	S	Muffler Code: N notates a new part (not previously existing).
46	726-0273	1		Mounting Clamp
47	734-1758	1		Hubcap Code: N notates a new part (not previously existing).
48	710-0599	1	/P	Hex Wash. Hd. TT-Tap Scr. 1/4-20 x .5" Lg.
50	714-0111	1	S	Cotter Pin .09 Dia. x 1.0" Lg.
51	714-0149B	1	S	Int. Cotter Pin
52	736-0231	1	S	Flat Wash. .34" I.D. x 1.12" O.D. x .125"
53	710-0600	1	/P	Hex Wash. Hd. AB-Tap Scr. 5/16-24 x .5" Lg.
54	712-0206	1		Hex Scr. 5/16-24 x .5" Lg.

Mower Deck Lift Mechanism, Muffler And Gas Tank

Ref #	Part Number	Qty	S/P/F	Description
55	14399	1	S	Deck Link
56	736-0264	1	S	FI-Wash. .344" I.D.
57	736-0219	1	S	Bell-Wash. .4" I.D. x 1.13" O.D.
59	783-0023	1	S	Heat Shield Code: N notates a new part (not previously existing).
63	736-0329	1	S/F	L-Wash. 1/4" I.D.
65	751-0535-46	1	S	Fuel Line 46" Lg.
66	726-0205	1	/P	Hose Clamp
67	710-0776	1	S	Hex AB-Tap Scr. 1/4 x .62" Lg.
68	17424	1		Fuel Tank Strap
69	751-0566	1		Gas Tank Code: N notates a new part (not previously existing).
70	751-0531B	1	/P	Gas Gauge
71	16848C	1	S	Seat Plate Code: N notates a new part (not previously existing).
72	17343	1		Hitch Plate
73	738-0482	1		Hitch Rod
74	726-0272	1	/P	Hose Clamp
75	727-0425B	1	S	Spring Clip Code: N notates a new part (not previously existing).
76	714-0120	1		Sq. Key 1/4" x 3" Lg.
78	17958	1		Muffler Mounting Brkt. Code: N notates a new part (not previously existing).
79	710-0258	1	S	Hex Bolt 1/4-20 x .62" Lg.
80	751-0564	1	S	Muffler Deflector Code: N notates a new part (not previously existing).
81	710-0148	1	/P	Hex Wash. Hd. F-Tap Scr. #8 x .32" Lg.
82	710-0604	1	S	Hex Wash. Hd. TT-Tap Ser. 5/16-18 x .62" Lg.
83	751-0558	1		Exhaust Tube - R.H. Code: N notates a new part (not previously existing).
84	751-0559	1	S	Exhaust Tube - L.H. Code: N notates a new part (not previously existing).
85	783-0037	1		Top Heat Shield Code: N notates a new part (not previously existing).
?86	710-1246	1	S	Hex Wash. Hd. Scr. #8-32 x .5" Lg. Code: N notates a new part (not previously existing).

142-856H190 GT-180 (1992)
Side Covers, Hood, Rear Fender And Seat



142-856H190 GT-180 (1992)
Side Covers, Hood, Rear Fender And Seat

Page 14 of 22

Ref #	Part Number	Qty	S/P/F	Description
1	731-1371	1		Hood Code: N notates a new part (not previously existing).
2	710-0896	1	/P	Hex Wash. B-Tap Scr. 1/4 x .62" Lg.
3	726-0233	1	/P	Bolt Retainer 1/4" I.D.
4	726-0279	1		Insulator Plate
5	726-0278	1		Insulator Boss Plate
6	710-0351	1	/P	Truss Mach. B-Tap Scr. #10 x .5" Lg.
7	710-0200	1		Hex Wash Hd. AB-Tap Scr. #8 x .5" Lg.
8	16903	1	S	Hood Plate
9	710-0776A	1	S	Hex AB-Tap Scr. 1/4 x .62" Lg.
10	723-0416	1		Screen
11	746-0614A	1	/P	Choke Control
12	17294	1		Dash Support Brkt. - L.H.
14	16902	1		Hood Hinge
15	725-0963	1	S	Lamp
16	725-1649	1	S	Twist Lock - Lamp Socket Code: N notates a new part (not previously existing).
17	777-8516	1		Reflector - Headlight
18	722-0199	1		Foam Seal
19	731-1069	1	S	Speed Control Index Brkt.
20	710-0118	1	S/F	Hex Bolt 5/16-18 x .75" Lg.
21	731-1373	1		Grille Code: N notates a new part (not previously existing).
22	17293	1	S	Dash Support Bracket - R.H.
23	736-0119	1	S/F	L-Wash. 5/16" I.D.
24	712-0267	1	S/F	Hex Nut 5/16-18 Thd.
25	736-0176	1	S	FI-Wash. 1/4" I.D. x .93" O.D.
28		1		UNKNOWN
32	710-0726	1	/P	Hex Wash. Hd. AB-Tap Scr. 5/16 x .75" Lg.
33	738-0435	1		Running Board Rod
34	16922	1		Running Board - R.H.
	16921	1		Running Board - L.H.
36	712-0287	1	S/F	Hex Nut 1/4-20 Thd.
37	736-0329	1	S/F	L-Wash. 1/4" I.D.
39	710-0946	1	/P	Truss Mach. Scr. 1/4-20 x .62"
41	17360	1		R.H. Side Frame
42	17635	1	S	Support Brkt.
43	17330A	1		Rear Fender Code 629
44	750-0755	1		Spacer .33" I.D. x .625" O.D.
45	710-0167	1	/P/F	Carriage Bolt 1/4-20 x .50" Lg.
46	736-0278	1		FI-Wash. .328" I.D. x .68" O.D.
47	17401A	1		Transmission Panel Code: N notates a new part (not previously existing).
48	725-1643	1		Reverse Safety Switch Code: N notates a new part (not previously existing).
49	726-0320	1	S	Insulator Nut Plate Code: N notates a new part (not previously existing).
50	16848C	1	S	Seat Plate Code: N notates a new part (not previously existing).

142-856H190 GT-180 (1992)
Side Covers, Hood, Rear Fender And Seat

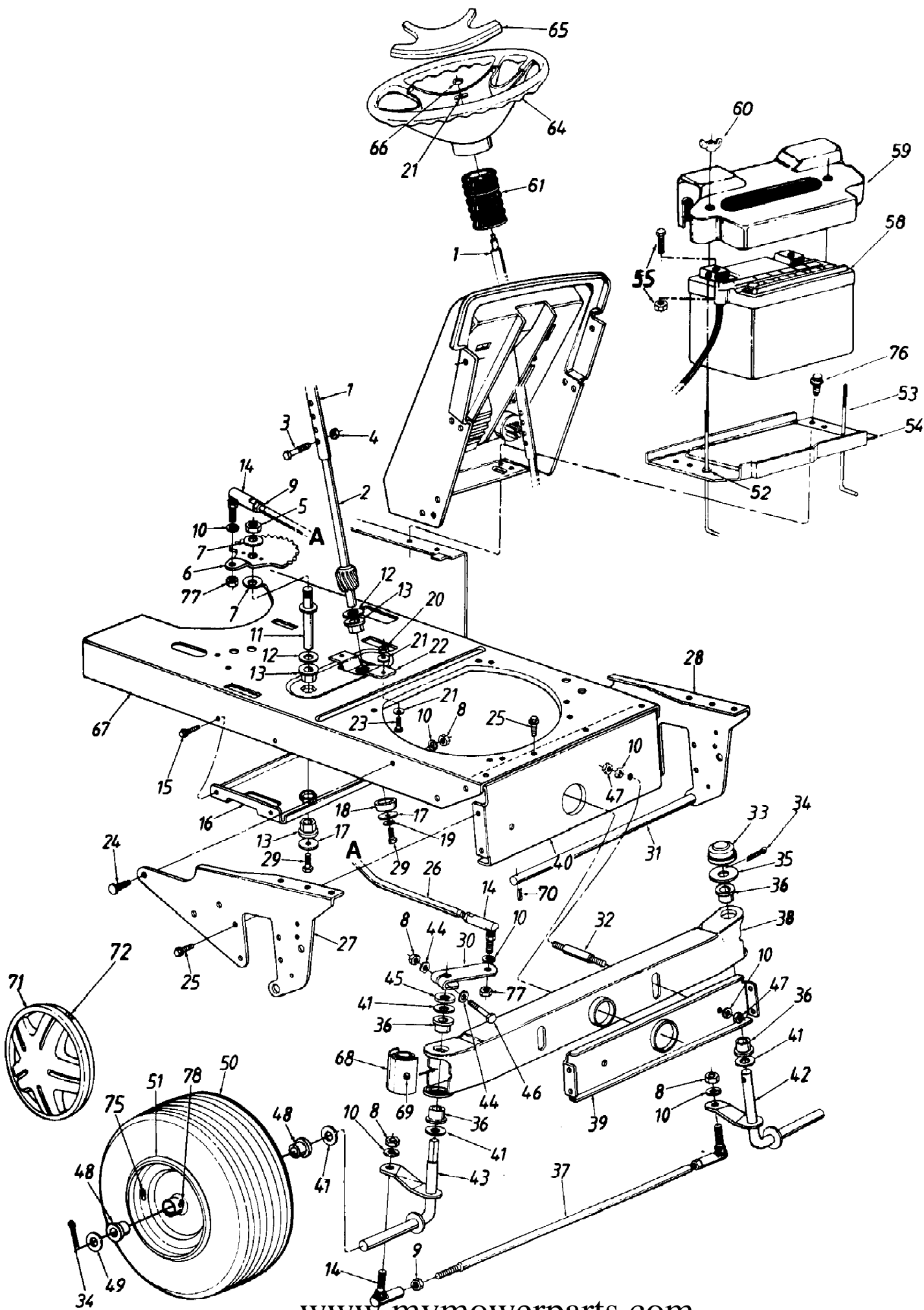
Page 15 of 22

Ref #	Part Number	Qty	S/P/F	Description
51	17361A	1		L.H. Side Frame
52	750-0754	1		Shld. Spacer .33" I.D.
53	736-0142	1	S	FI-Wash. .281" I.D. x .5" O.D.
54	712-0158	1	S	Hex Cent. L-Nut 5/16-18 Thd.
55	683-0018	1	S	Side Cover Ass'y. - R.H. Code: N notates a new part (not previously existing).
	683-0017	1		Side Cover Ass'y. - L.H. (Not shown). Code: N notates a new part (not previously existing).
56	710-1034	1		Double Ended Stud 1/4-20 Thd.
57	725-1439	1		Safety Switch (Seat)
58	736-0222	1	S	Ext. L-Wash. 1/4" I.D.
59	831-0823A	1	/P	Throttle Control Box Ass'y.
60	746-0634	1	S	Throttle Control Wire 35" Lg.
61	710-0258	1	S/F	Hex Bolt 1/4-20 x .62" Lg.
62	736-0173	1	/P	FI-Wash. .281" I.D. x .73" O.D.
63	725-1341B	1	/P	Ignition Key
64	725-1396	1	S	Ignition Switch
65	731-0958A	1		Dash Panel Code: N notates a new part (not previously existing).
66	725-0634	1	S	Light Switch
67	725-0925	1	S	Ammeter
68	731-1038	1	S	Lens
69	725-1347	1	/P	Ignition Switch Cap
70	757-0351	1		Seat Ass'y.
71	725-3018	1		Taillight Ass'y.
72	726-0139	1	/P	Speed Nut #10Z
73	725-1346	1	S	Ignition Switch Nut
74	710-0779A	1	/P	Truss Mach. AB-Tap Scr. #10 x .5" Lg.
75	710-0936	1		Truss Hd. AB-Tap Scr. #6 x .62" Lg.
77	710-0642	1	/P	Hex Wash. Hd. Tap Scr. 1/4 x .75" Lg.
78	731-0405	1		Snap Bushing
79	710-0227	1	/P	Hex Wash. Hd. AB-Tap Scr. #8 x .50" Lg.
80	712-0291	1	S	Hex L-Nut 1/4-20 Thd.
84	732-0581B	1	S	Ext. Spring 5.31" Lg.
85	17239A	1	S	Seat Lift Brkt.
86	736-0242	1	/P	Bell-Wash. .345" I.D. x .88" O.D.
87	710-1012	1	/P	Rib Neck Bolt 5/16-18 x .75"
88	17406	1	S	Fender Bracket - R.H.
	17407	1	S	Fender Bracket - L.H.
89	710-0376	1	/P	Hex Bolt 5/16-18 x 1.0" Lg.
90	738-0296	1	S	Shld. Bolt .437" Dia. x .268"
91	17701	1	S	Seat Pivot Brkt. Support - L.H.
92	738-0155	1	S	Shld. Bolt .437" Dia. x .162"
93	17702	1	S	Seat Pivot Brkt. Support - R.H.
94	725-1303	1	S	Spring Switch
95	736-0141	1	S	Spr.-Wash. .445" I.D.
96	710-0602	1	/P	Hex Wash. Hd. Tap Scr. 5/16-18 x 1" Lg.
97	736-3078	1	/P	FI-Wash. .344" I.D. x 1" O.D.
98	722-0160	1		Bushing
99	732-0588	1		Compression Spring
100	15607D	1	S	Seat Pivot Bracket

142-856H190 GT-180 (1992)
Side Covers, Hood, Rear Fender And Seat

Page 16 of 22

Ref #	Part Number	Qty	S/P/F	Description
101	710-0623	1	/P	Hex Tap Scr. 3/8-16 x .75"
104	731-1051	1		Foot Pad
105	710-0599	1	/P	Hex Tap Scr. 1/4-20 x .5" Lg.
111	712-0185	1		Speed Nut 1/4-20 Thd.
113	710-0176	1	/P	Hex Bolt 5/16-18 x 2.75"
114	725-1426	1	S	Solenoid
115	712-0271	1	/P	Hex Sems Nut 1/4-20 Thd.
116	710-0289	1	S/F	Hex Bolt 1/4-20 x .5" Lg.
117	710-1012	1	/P	Rib Neck Bolt 5/16-24 x .75" Lg.
118	712-0123	1	/P	Hex Nut 5/16-24 Thd.
119	17782	1		Retainer Clip
120	736-0270	1	/P	Bell-Wash. .265" I.D. x .75" O.D.

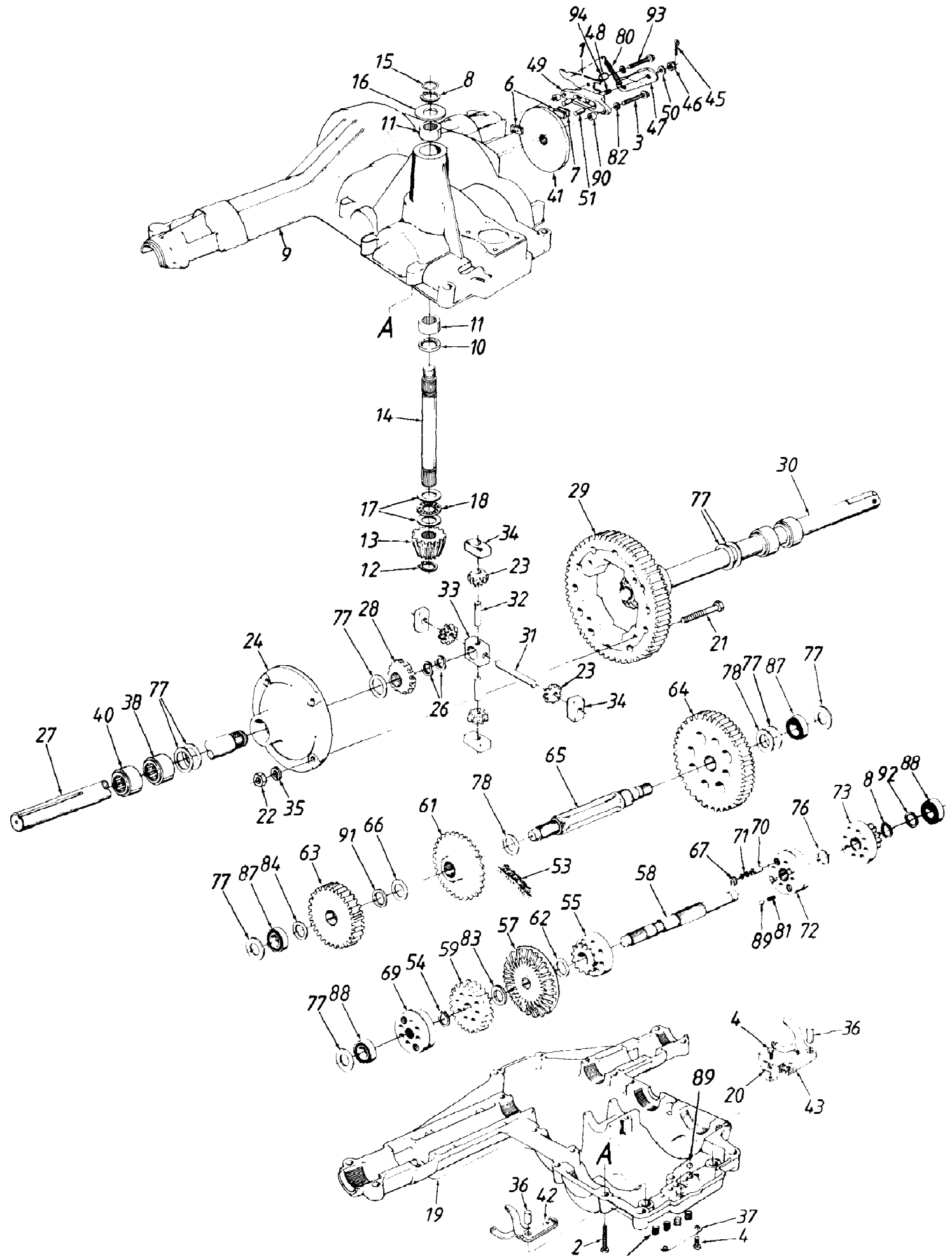


Ref #	Part Number	Qty	S/P/F	Description
1	16512	1		Steering Column Ass'y.
2	738-0763	1	S	Lower Steering Shaft
3	710-0958	1	/P	Hex Bolt 1/4-20 x 1.31" Lg.
4	712-0324	1	/P	Hex L-Nut 1/4-20 Thd.
5	712-0337	1	F	Hex Nut 5/8-18 Thd.
6	717-0943A	1	S	Steering Gear Segment
7	736-0317	1	/P	Bell-Wash. 5/8" I.D. x 1.25" O.D.
8	712-0241	1	/P	Hex Nut 3/8-24 Thd.
9	712-0711	1	/P	Hex Jam Nut 3/8-24 Thd.
10	736-0169	1	S/F	L-Wash. 3/8" I.D.
11	738-0768	1		Steering Gear Segment Shaft
12	736-0187	1	/P	FI-Wash. .64" I.D. x 1.24" O.D.
13	748-0227A	1	S	Hex Flange Brg. .63" I.D.
14	723-3018	1	S	Ball Joint Ass'y.
15	710-0599	1	/P	Hex Wash. Hd. TT-Tap Scr. 1/4-20 x .5" Lg.
16	16888	1	S	Deck Idler Support Brkt.
17	736-0343	1	/P	FI-Wash. .33" I.D. x 1.25" O.D.
18	750-0532	1	S	Spacer .985" I.D. x 1.25" O.D.
19	736-0119	1	S/F	L-Wash. 5/16" I.D.
20	712-0123	1	/P/F	Hex Nut 5/16-24 Thd.
21	736-0242	1	/P	Bell-Wash. .345" I.D. x .88" O.D.
22	16894	1	S	Bearing Retainer Brkt.
23	710-0157	1	/P	Hex Bolt 5/16-24 x .75" Lg.
24	710-0793	1		Ribbed Neck Bolt 3/8-24 x .8" Lg.
25	710-0604	1	S	Hex Wash. TT-Tap Scr. 5/16-18 x .62" Lg.
26	747-0579	1	S	Steering Drag Link
27	16896	1		Pivot Bar Side Plate - R.H.
28	16897	1		Pivot Bar Side Plate - L.H.
29	710-0538	1	/P	Hex Bolt 5/16-18 x .62" Lg.
30	16918	1	S	Steering Arm
31	738-0777	1	S	Deck Connecting Rod
32	738-0775	1		Pivot Bar Shld. Bolt 3/8-16 x 5/8" Lg.
33	731-0484A	1	S	Cap
34	714-0121	1	S	Cotter Pin 5/32" Dia.
35	736-0316	1	S	Flat Washer
36	741-0523	1	S	Flange Brg. .757" I.D.
37	747-0721	1		Tie Rod 20.25" Lg.
38	16843	1	S	Pivot Bar Assy.
39	16889	1	S	Pivot Bar Support Brkt. - Front
40	16890	1	S	Pivot Bar Support Brkt. - Rear
41	736-0188	1	/P	FI-Wash. .76" I.D. x 1.49" O.D.
42	16915	1	S	Front Axle Ass'y. - L.H.
43	16914	1	S	Front Axle Ass'y. - R.H.
44	736-0286	1	S	Bowed Washer
45	748-0160	1	S	Spacer .755" I.D. x 1.25" O.D.
46	710-0331	1	/P	Hex Bolt 3/8-24 x 2.25" Lg.
47	712-0798	1	/P/F	Hex Nut 3/8-16 Thd.
48	741-3032	1	S	Ball Brg. .75" I.D. Code: N notates a new part (not previously existing).
49	736-0316	1	S	FI-Wash. .71" I.D. x 1.5" O.D.
50	734-1722	1	F	Wheel Ass'y. Comp.
	734-0275	1	/P/F	Tire Only

142-856H190 GT-180 (1992)
Steering Mechanism And Battery

Page 19 of 22

Ref #	Part Number	Qty	S/P/F	Description
51	734-1688	1	S	Rim Only Code: N notates a new part (not previously existing).
52	726-0271	1	S	Push Nut
53	711-0222	1	S	Battery Hold Down Rod
54	17635	1	S	Battery Plate
55		1		Comes w/Battery (Replace w/Bolt 1/4-20 x 1/2" Lg. and nut)
?56	736-0329	1	S/F	L-Wash. 1/4" I.D.
58	725-1635	1	S	Battery (275 Cold Crank Amps)
59	731-1132	1		Battery Cover
60	712-0113	1	S	Wing Nut Plastic 1/4-20 Thd.
61	731-0954	1	S	Steering Bellow
64	631-0005	1	S	Steering Wheel Code: N notates a new part (not previously existing).
65	731-1344	1		Steering Wheel Cap Code: N notates a new part (not previously existing).
66	712-0237	1	S	Hex L-Nut 5/16-24 Thd.
67	17359A	1	S	Lower Frame
68	731-1049	1		Pivot Bar End Cap
69	737-0280	1	S	Grease Fitting
70	714-01498	1		Internal Cotter Pin
71	734-1756	1		Hub Cap Code: N notates a new part (not previously existing).
72	727-0425B	1	S	Spring Clip
75	734-0255	1	S	Air Valve
76	710-0776A	1	S	Hex AB-Tap Scr. 1/4 x .62" Lg.
77	712-0446	1	S	Hex Jam L-Nut 3/8-24 Thd.
78	737-0280	1	S	Grease Fitting
	777-6549	1		Plastic Logo on Hood Side Labels
	777-0186	1		Plastic Logo - Grille
	777-8213A	1		GT-180 Side Panel Labels
	777-8317	1		Cruisematic GT Medallion
	777-8214	1		White Label - Fender
	777-4777	1		Reflective Label - Seat Back



142-856H190 GT-180 (1992)
Transaxle P/N 618-0009

Page 21 of 22

Ref #	Part Number	Qty	S/P/F	Description
	618-0009	1	S	Transaxle
1	17434	1		Brake Return Bracket
2	710-0809	1		Hex Bolt 1/4-20 x 1.25" Lg.
3	710-3201	1		Hex Bolt 1/4-20 x 1.5" Lg. (Gr. 5)
4	710-0599	1	/P	Hex Wash. Hd. Tap Scr. 1/4-20 x .5" Lg.
6	717-0678	1	S	Brake Puck
7	717-0682	1	S	Puck Plate
8	716-0171	1	S	Retainer Ring
9	717-1164	1		Upper Housing
10	721-0253	1		Oil Seal
11	741-0525	1	S	Needle Brg. 5/8" I.D. x 7/8" O.D.
12	716-0114	1	S	Snap Ring
13	717-1133	1	S	Input Pinion 15T
14	717-1134	1		Input Shaft
15	732-0614	1		Wire Ring
16	736-0335	1	S	Thrust Washer 5/8" I.D.
17	736-0419	1	S	Thrust Washer
18	741-0469	1		Thrust Bearing
19	717-1161	1		Lower Housing
20	717-1166	1		Shift Guide
21	710-0151	1	/P/F	Hex Bolt 3/8-24 x 2.0" Lg.
22	712-3054	1	/P	Hex L-Nut 3/8-24 Thd. (Gr. 5)
23	717-1120	1		Differential Gear 10T
24	717-1147	1		Differential Housing Cover Ass'y.
26	716-0172	1	S	Retainer Ring
27	717-1112	1		Axle R.H.
28	717-1119	1		Differential Gear 14T
29	717-1159	1		Differential Bull Gear 60T
30	717-1111	1		Axle L.H.
31	717-1173	1		Cross Shaft
32	717-1178	1		Cross Shaft - Special
33	717-1180	1		Differential Pinion Block
34	717-1190	1		Differential Thrust Block
35	736-0413	1	/P	Spr. Wash. .39" I.D. x .62" O.D.
36	717-1138	1		Shift Pin
37	717-1139	1		Spring Plate
38	741-1143	1	S	Axle Bearing Ass'y.
40	717-1144	1		Axle Bearing Ass'y.
41	717-1177	1	S	Brake Disc
42	717-1185	1		Shift Arm Ass'y. - R.H.
43	717-1186	1		Shift Arm Ass'y. - L.H.
45	714-0111	1	S	Cotter Pin 3/32" Dia.
46	712-0335	1	S	Castle Nut 5/16-24 Thd.
47	717-0700	1	/P	Brake Actuating Arm
48	717-0796	1	/P	Sq. Hd. Bolt 5/16-24 Thd.
49	717-1179	1		Brake Yoke
50	736-0371	1	/P	FI-Wash. 11/32" I.D. x 7/8" O.D.
51	741-0343	1	S	Brake Actuating Pin
53	713-0326	1	S	#420 Chain 1/2 Pitch x 28 Links
54	716-0149	1		Retainer Ring
55	717-1141	1		Reverse Sprocket Ass'y.
57	717-1157	1	S	Bevel Gear 47T

142-856H190 GT-180 (1992)
Transaxle P/N 618-0009

Page 22 of 22

Ref #	Part Number	Qty	S/P/F	Description
58	711-0860	1	/P	Drive Shaft Code: N notates a new part (not previously existing).
59	717-1174	1	S	Spur Gear Ass'y.
61	717-1182	1		Sprocket 22T
62	736-0421	1		FI-Wash. .81" I.D. x 1.18" O.D.
63	717-1155	1		Spur Gear 31T
64	717-1156	1		Spur Gear 45T
65	717-1158	1		Output Shaft 9T
66	717-1172	1		Spacer
67	718-0183	1	S	Shift Spring Plug Code: N notates a new part (not previously existing).
69	717-1167B	1		Forward Shift Collar Code: N notates a new part (not previously existing).
70	717-1184	1	S	Drive Pin
71	732-0590A	1	/P	Drive Spring Code: N notates a new part (not previously existing).
72	717-1168B	1		Creeper Shift Collar Code: N notates a new part (not previously existing).
73	717-1193	1		Creeper Collar Plate Ass'y.
76	736-0353	1		FI-Wash. .65" I.D. x .97" O.D.
77	736-0423	1		FI-Wash. 1" I.D. x 1.56" O.D. x .010" Thk.
	736-0431	1	S	FI-Wash. 1" I.D. x 1.56" O.D. x .015" Thk.
	736-0424	1	S	FI-Wash. 1" I.D. x 1.56" O.D. x .020" Thk.
	736-0420	1	S	FI-Wash. 1" I.D. x 1.56" O.D. x .040" Thk.
78	736-0424	1	S	FI-Wash. 1.0" I.D. x 1.56" O.D.
80	732-0545	1	S	Ext. Spring 1.14" Lg
81	732-0659	1		Detent Spring Code: N notates a new part (not previously existing).
82	736-0329	1	S/F	L-Wash. 1/4" I.D.
83	736-0349	1	S	FI-Wash. 5/8" I.D. x 1.0" O.D.
84	736-0422	1		FI-Wash. .68" x 1.12"
87	741-0124	1	S	Ball Brg. .669" I.D.
88	741-0524	1	S	Ball Bearing
89	741-0862	1	/P	Ball Detent .25" Dia.
90	750-0555	1		Spacer .254" I.D. x .5" O.D.
91	736-0333	1		FI-Wash. .69" I.D. x 1.06" O.D.
92	736-0349	1	S	FI-Wash. 5/8" I.D. x 1.0" O.D. x .020" Thk.
	736-0336	1	S	FI-Wash. 5/8" I.D. x 1.0" O.D. x .030" Thk.
	736-0337	1	S	FI-Wash. 5/8" I.D. x 1.0" O.D. x .040" Thk.
93	710-1225	1		Hex Wash. Hd. Patch Bolt 1/4-20 x 2-1/4" Lg.
94	750-0893	1		Spacer .256" I.D. x .75" O.D.
95	732-0598	1		Detent Spring
	737-0148	32	S	Shell Darina Grease 14 oz. Tube 32 oz. Req'd.